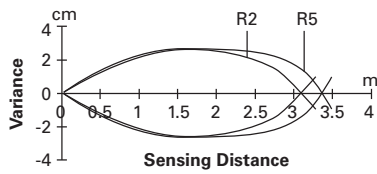


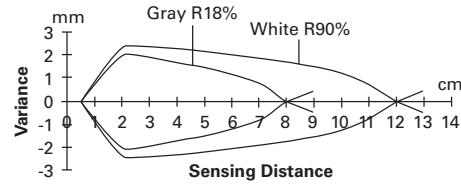
Polarized Reflex Models

E71-P



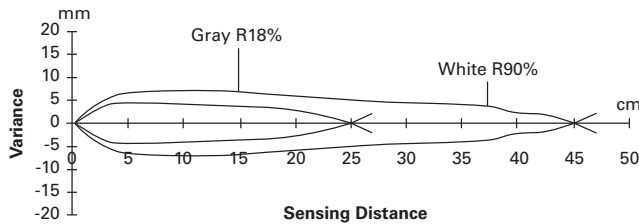
Fixed Focus Diffuse Models

E71-F ①



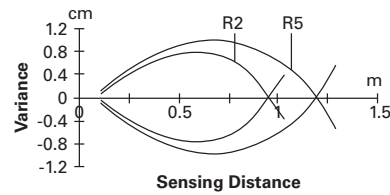
Diffuse Reflective Models

E71-S ①



Clear Object Detector Models

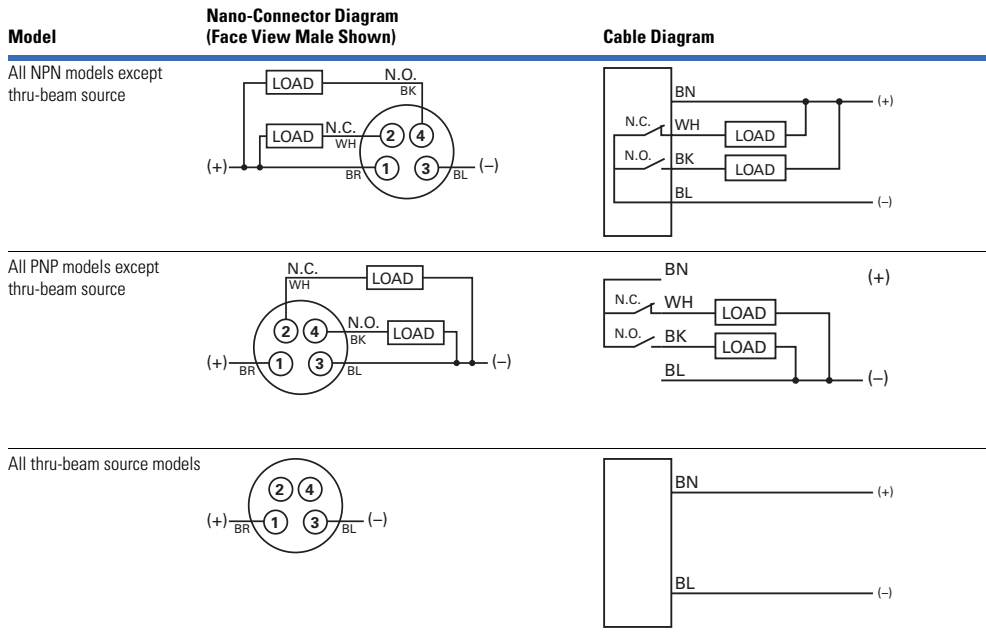
E71-C



Wiring Diagrams

Pin numbers are for reference, rely on pin location when wiring.

NanoView Series Sensors



Note

① These diagrams depict the width of the sensing beam over distance. These diagrams also show the sensing difference between white and gray targets. Because gray is less reflective than white, gray targets will typically need to come closer to the beam centerpoint to be detected.